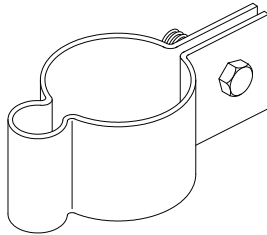


PIPE AND HANDRAIL CABLE HOLDERS

ALL ITEMS



Strap type cable or point holder for use on vertical or horizontal pipe run – copper holder made of tinned copper strap 1" wide, 0.064" thick – aluminum holder made of aluminum strap 1" wide, 0.080" thick – furnished with 1" long bronze or stainless steel bolt and nut for tension on pipe – for main sized cables through No. 605 and point diameters 3/8" to 5/8" – various pipe sizes available on request.

Copper

Cat. No. 821A – for 1.660" O.D. Pipe - 3 oz.

Cat. No. 821B – for 1.90" O.D. Pipe - 3.4 oz.

Cat. No. 821C – for 2.375" O.D. Pipe - 3.8 oz.

Cat. No. 821D – for 2.875" O.D. Pipe - 4.2 oz.

Cat. No. 821E – for 4.5" O.D. Pipe - 6.2 oz.

Aluminum

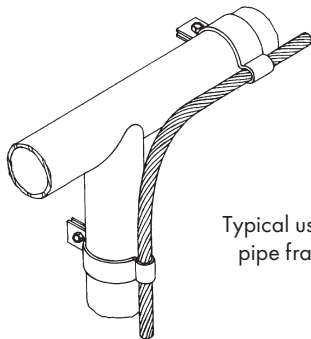
Cat. No. A821A – for 1.660" O.D. Pipe - 1.7 oz.

Cat. No. A821B – for 1.90" O.D. Pipe - 1.8 oz.

Cat. No. A821C – for 2.375" O.D. Pipe - 1.9 oz.

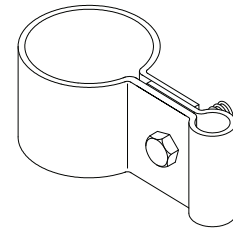
Cat. No. A821D – for 2.875" O.D. Pipe - 2 oz.

Cat. No. A821E – for 4.5" O.D. Pipe - 2.3 oz.



Typical use on pipe frame

Strap type cable or point holder for use on vertical or horizontal pipe run – copper holder made of tinned copper strap 1" wide, 0.064" thick – aluminum holder made of aluminum strap 1" wide, 0.080" thick – stand-off distance 1" from wall of pipe – furnished with 1" long bronze or stainless steel bolt and nut for tension on pipe – for main sized cables through No. 605 and point diameters 3/8" to 5/8" – various pipe sizes available on request.



Copper

Cat. No. 822A – for 1.660" O.D. Pipe - 2.6 oz.

Cat. No. 822B – for 1.90" O.D. Pipe - 3.7 oz.

Cat. No. 822C – for 2.375" O.D. Pipe - 4 oz.

Cat. No. 822D – for 2.875" O.D. Pipe - 4.2 oz.

Cat. No. 822E – for 4.5" O.D. Pipe - 5.2 oz.

Aluminum

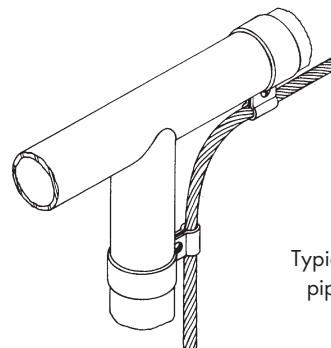
Cat. No. A822A – for 1.660" O.D. Pipe - 2 oz.

Cat. No. A822B – for 1.90" O.D. Pipe - 2.1 oz.

Cat. No. A822C – for 2.375" O.D. Pipe - 2.2 oz.

Cat. No. A822D – for 2.875" O.D. Pipe - 2.3 oz.

Cat. No. A822E – for 4.5" O.D. Pipe - 2.6 oz.



Typical use on pipe frame



ROBBINS LIGHTNING, INC.

124 EAST SECOND STREET PHONE (660) 582-3156 FAX (660) 582-3039 P.O. BOX 440 MARYVILLE, MISSOURI 64468-0440