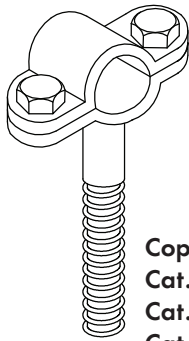


CABLE FASTENERS

ALL ITEMS



STAND-OFF CABLE HOLDER

Heavy cast bronze or aluminum stand-off cable holder – two bolt tension on cable – 1" to 2" stand-off distance – for main sized cables through No. 605 – available without fastener (No. 74 or No. A74), with No. 86A lead anchor (No. 74A or No. A74A) or with two 3/8" nuts and washers (No. 74B or No. A74B). Overall dimensions - 1-3/4" x 2-3/4".

Copper

Cat. No. 74 – 3/8" threaded end - 4 oz.

Cat. No. 74A – with lead anchor - 6.2 oz.

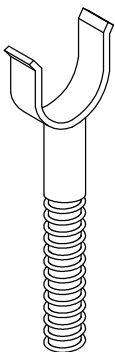
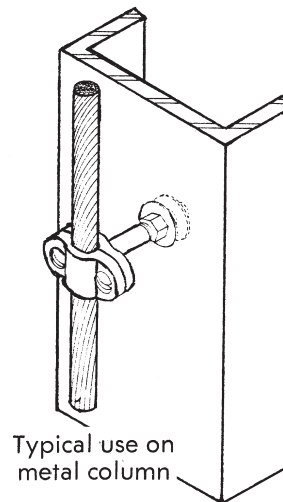
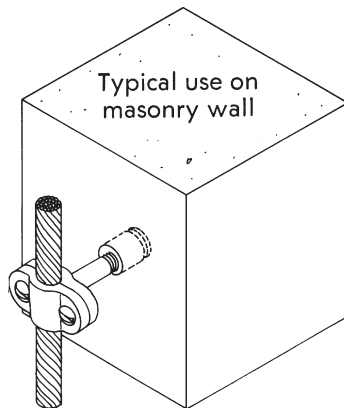
Cat. No. 74B – with nuts and washers - 4.8 oz.

Aluminum

Cat. No. A74 – 3/8" threaded end - 1.4 oz.

Cat. No. A74A – with lead anchor - 3.4 oz.

Cat. No. A74B – with nuts and washers - 2.2 oz.



STAND-OFF CABLE HOLDER (COMPRESSION TYPE)

Heavy cast bronze or aluminum compression type stand-off cable holder – 1" to 2" stand-off distance – for main sized cables through No. 605 – available without fastener (No. 73A or No. A73A), with No. 86A lead anchor (No. 73B or No. A73B) or with two 3/8" nuts and washers (No. 73C or No. A73C). (For Class 1 structures only.)

Copper

Cat. No. 73A – 3/8" threaded end - 1.6 oz.

Cat. No. 73B – with lead anchor - 3.8 oz.

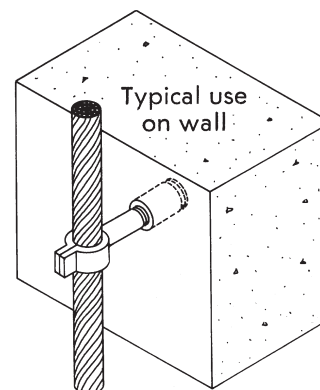
Cat. No. 73C – with nuts and washers - 2.4 oz.

Aluminum

Cat. No. A73A – 3/8" threaded end - 0.4 oz.

Cat. No. A73B – with lead anchor - 2.4 oz.

Cat. No. A73C – with nuts and washers - 1.2 oz.



ROBBINS LIGHTNING, INC.

124 EAST SECOND STREET PHONE (660) 582-3156 FAX (660) 582-3039 P.O. BOX 440 MARYVILLE, MISSOURI 64468-0440

